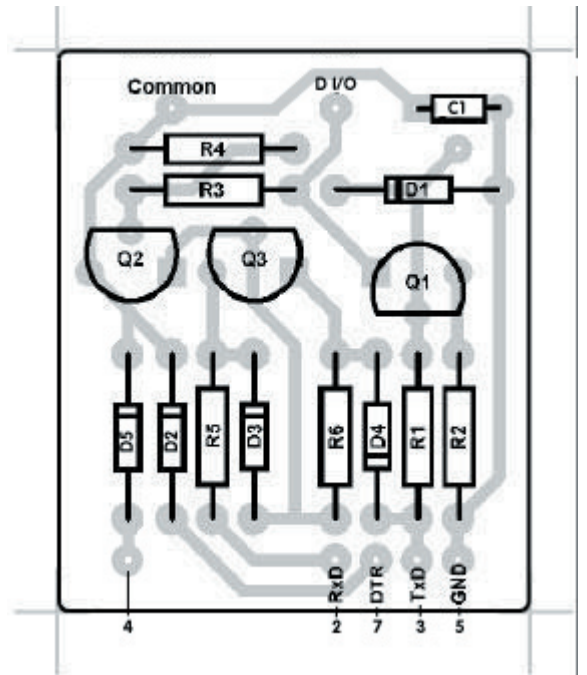
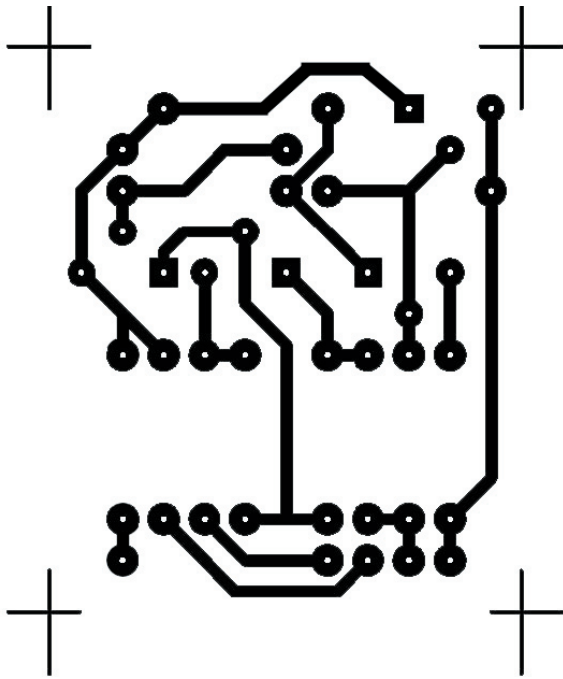


Modifications to Roli Wasmer Schemes



Add D5 (1N4148) same as D2..D4

Add C1 (47 μ F 16V)

The numbers down in scheme represent pin number in DB 9 conector

With this modification the interface work in both platforms Mac and PC, and also with USB-Serial adapter (this is the C1 function)